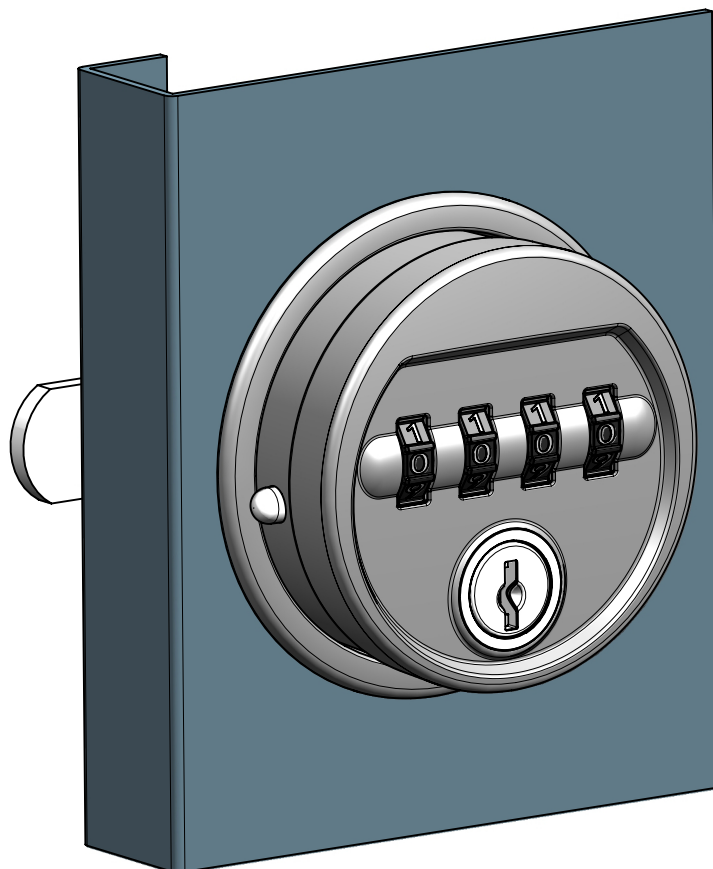


Technical Information

Built-In Shell 1401



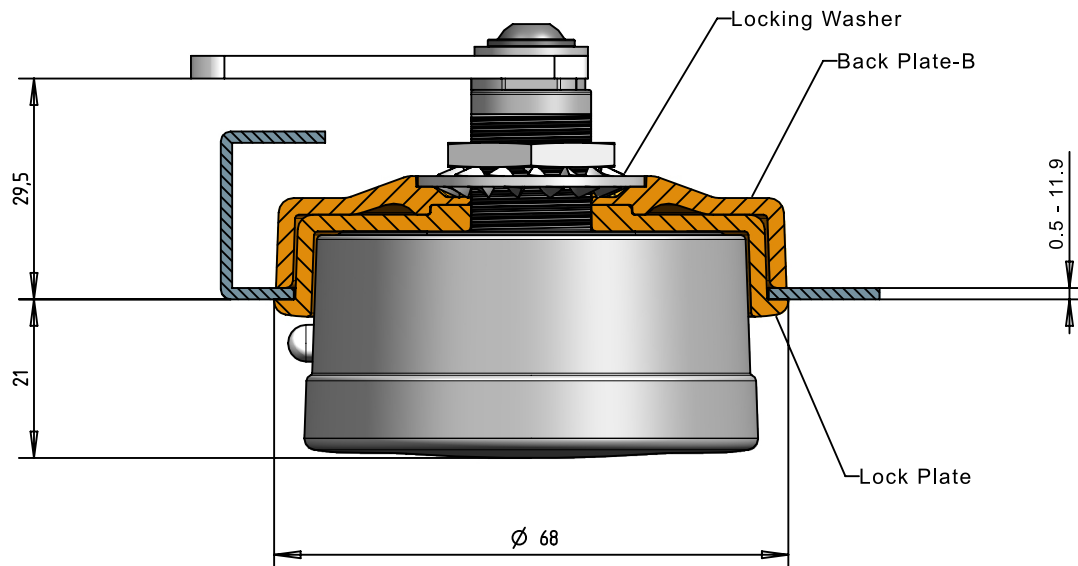
1. Versions
 - 1.1 Built-in shell for doors from 0.5 - 11.9mm
 - 1.2 Built-in shell for doors from 12.0 - 22.0mm

2. Installation
 - 2.1 Installation chart for doors from 0.5 - 11.9mm
 - 2.2 Installation chart for doors from 12.0 - 22.0mm

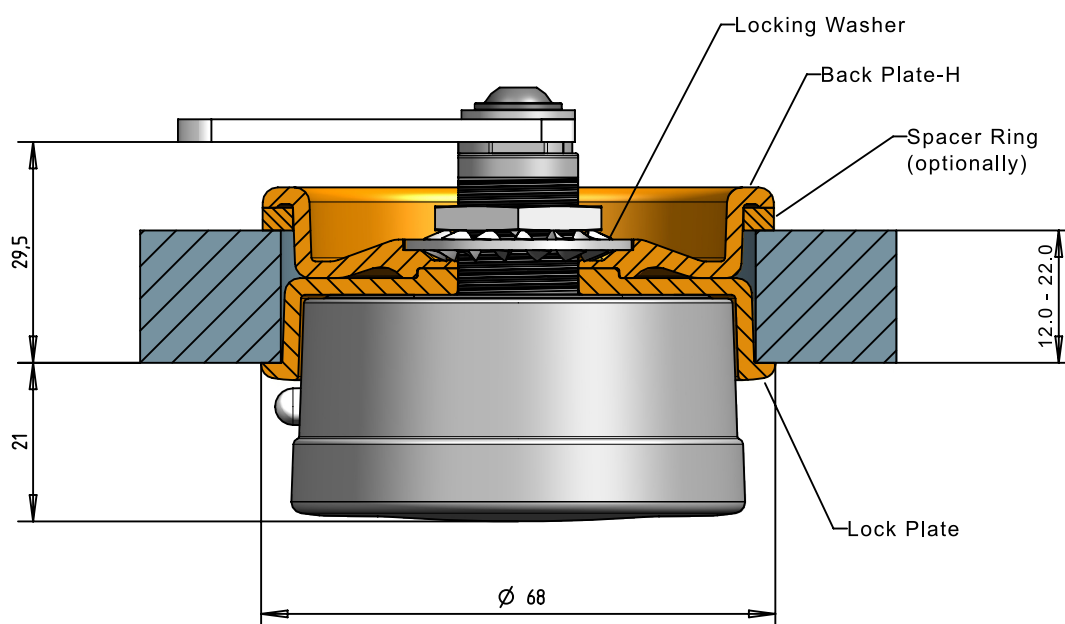
3. Hole pattern / Ordering information
 - 3.1 Hole dimensions
 - 3.2 Ordering matrix

1. Versions

1.1 Built-in shell for doors from 0.5-11.9mm

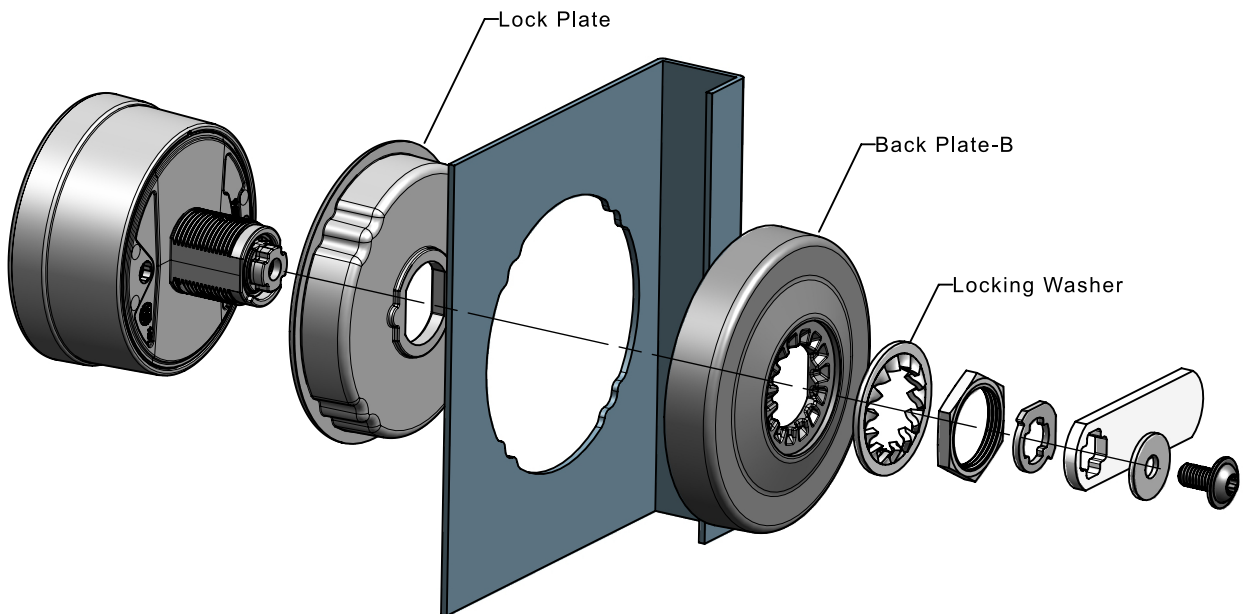


1.2 Built-in shell for doors from 12.0-22.0mm

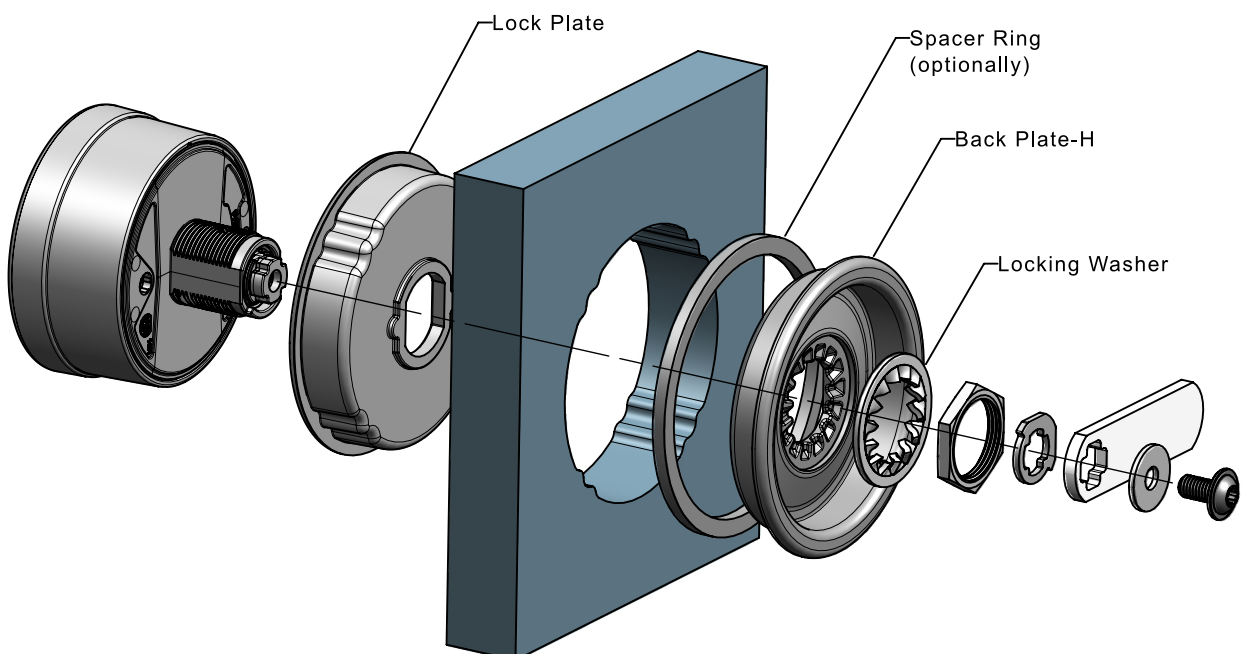


2. Installation

2.1 Installation chart for doors from 0,5-11,9mm



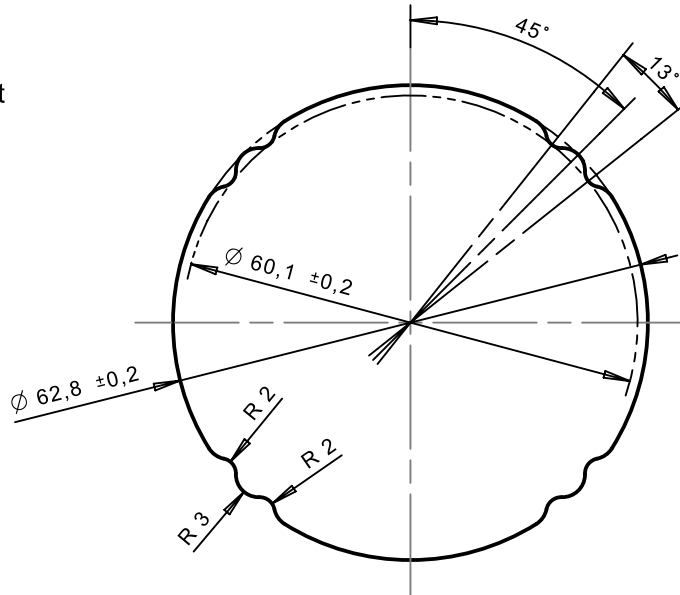
2.2 Installation chart for doors from 12,0-22,0mm



3. Hole Pattern / Ordering Information

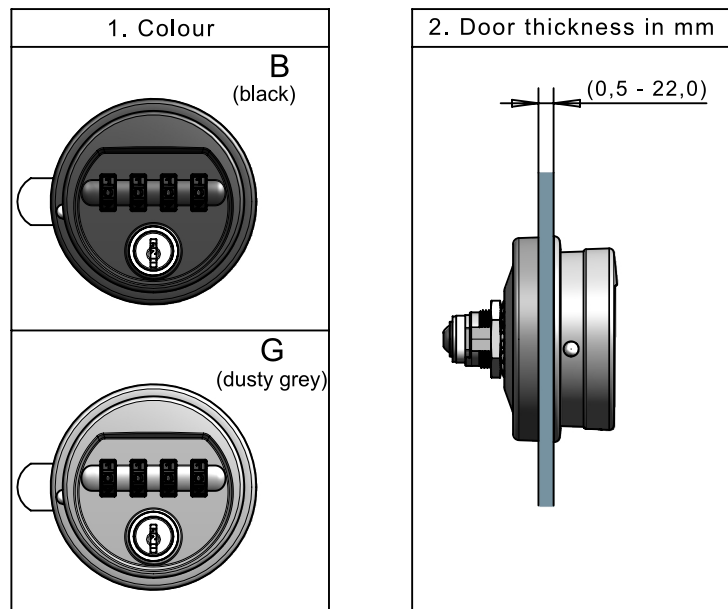
3.3 Hole Dimensions

2D-Data available on request



3.3 Ordering information for one set built-in shell consisting of:

- 1 pc. lock plate
- 1 pc. back plate
- 1 pc. locking washer
- 1 pc. spacer ring (optionally)



Order no.: M1401- -

- Examples:
- Built-in shell, black, wooden door 19.2mm: M1401-B-19.2
 - Build-in shell, grey, steel door 0.8mm: M1401-G-0.8