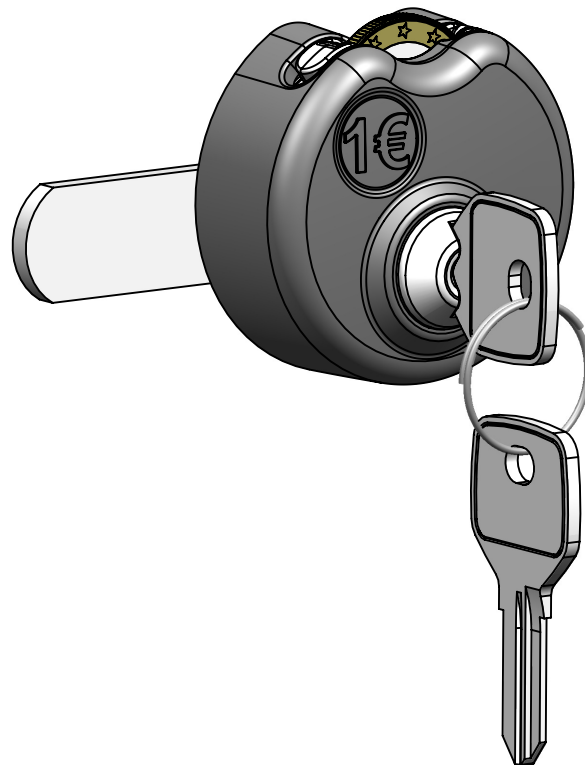


Technical Information

Coin Operated Lock 1606



Product description	2
Fitting dimensions	3
Mounting by Nut (Standard)	4
Mounting by Screws	5
Operating	6
Set / Change direction of rotation	7
Change cylinder	8
Ordering matrix cam	9
Ordering matrix lock	10

Product description / Features

- Coin operated lock, usable as cam lock
- Easy to retrofit on most lockers with 16x19mm fixing holes
- Emergency opening by master key
- Compact and robust design
- Easy and self-explaining operation
- Cylinder with key bend protection and insertion guide
- User-friendly reversible key
- Direction of rotation R/L settable
- 1.000 keyed-different cylinders
- Cylinder core exchangeable
- Lock fixing by nut (A/F 22)
- Housing made of fibreglas-reinforced plastic
- Mechanism completely made of metal

Standard Product Contents

- Coin operated lock
- 2 pcs. user keys (1. key inserted, 2. key on ring)
- Cam (mounted)
- Fixing material

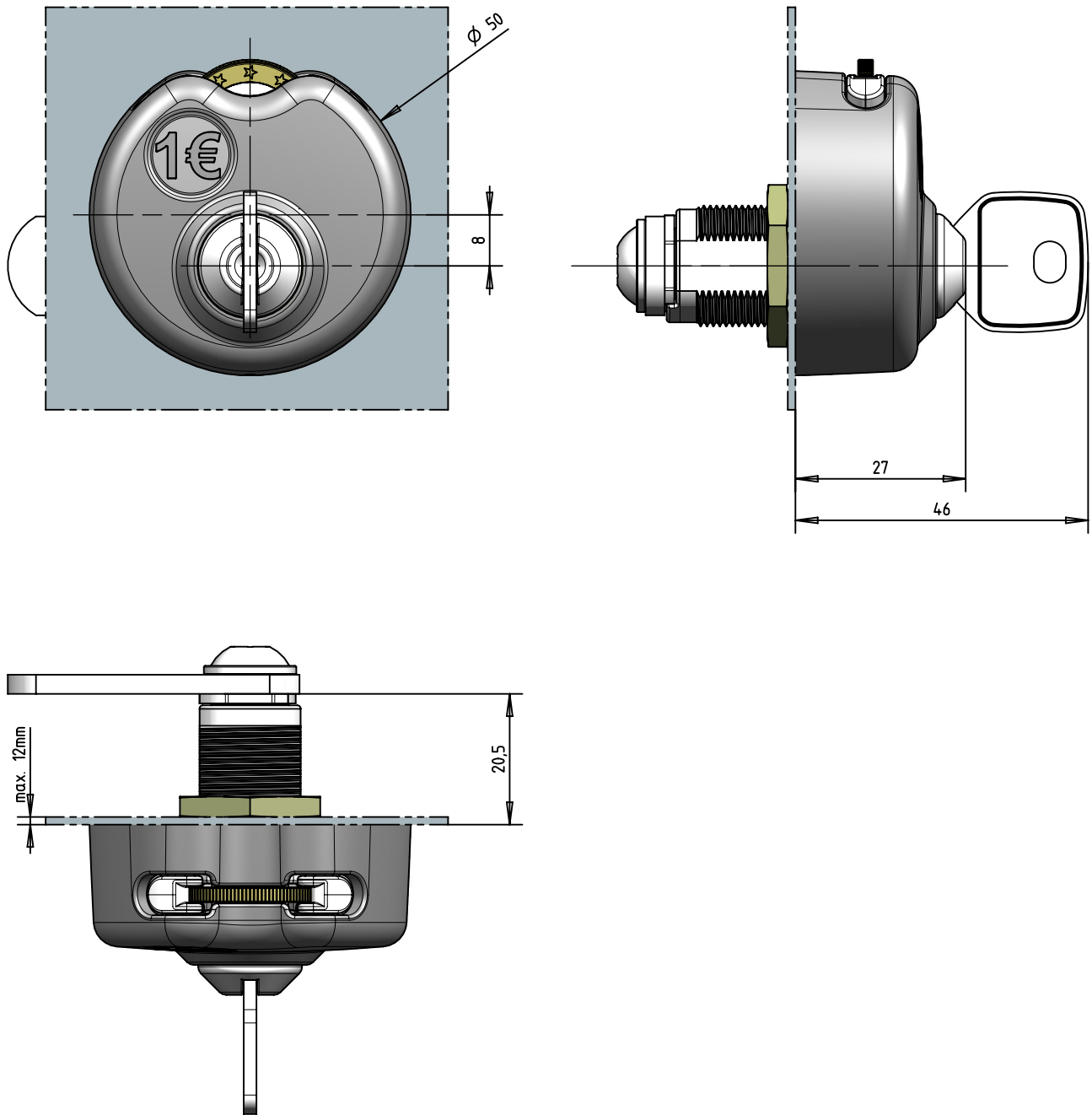
Optional Accessories (ordering separately)

- Master key
- Exchange cylinder core incl. two user keys
- Locking device (to lock and pull out the key without coin, e.g. for locker transport)

General instructions for use

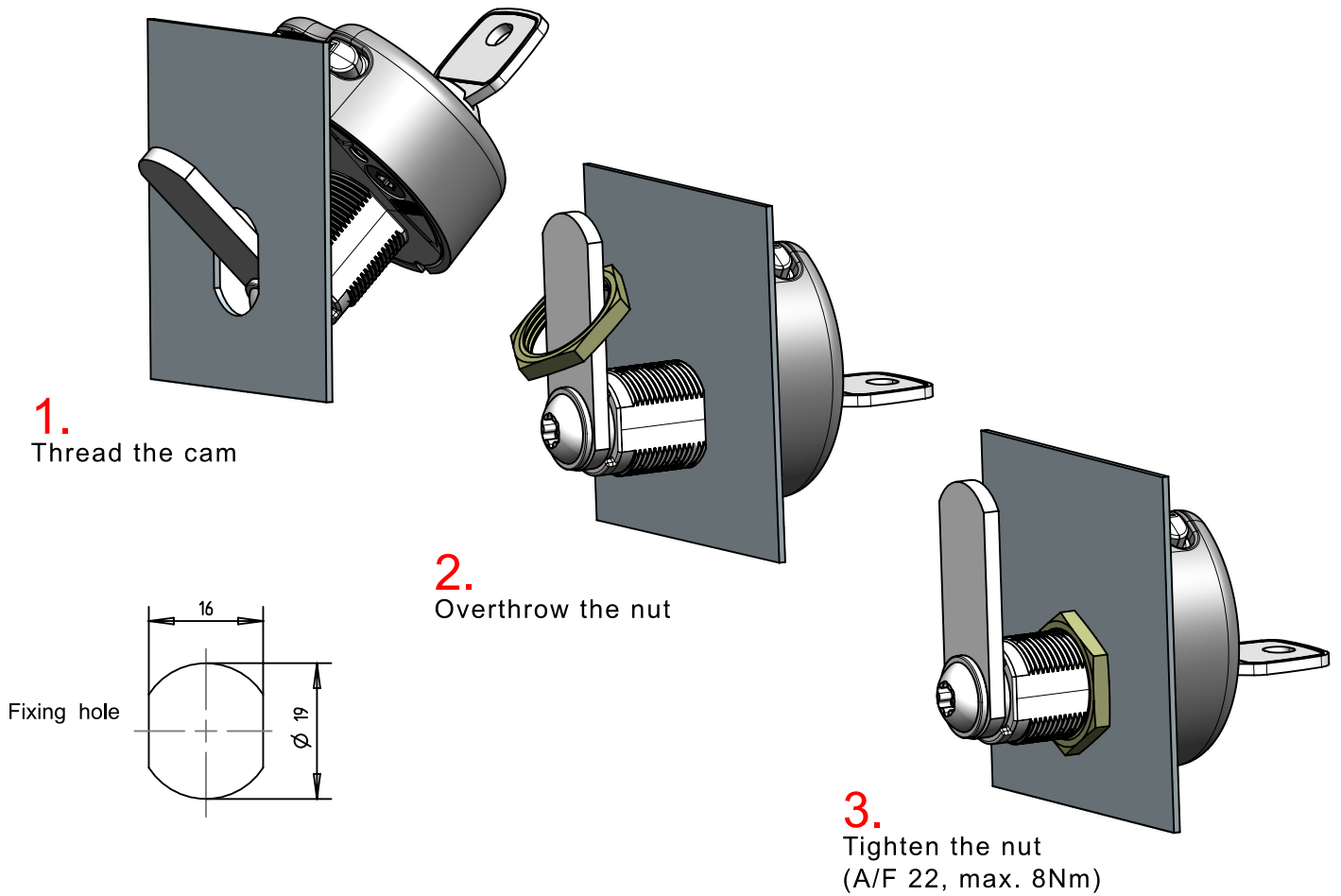
- Do not expose the lock to environmental influences like water, moist and dust.
 - To use within temperature range from 0-50°C (32°F to 120°F)
 - For cleaning use damp cloth and common household detergent
 - Don't use aggressive or chemical products
 - When cleaning avoid that water or detergent enters the lock
-

Fitting dimensions

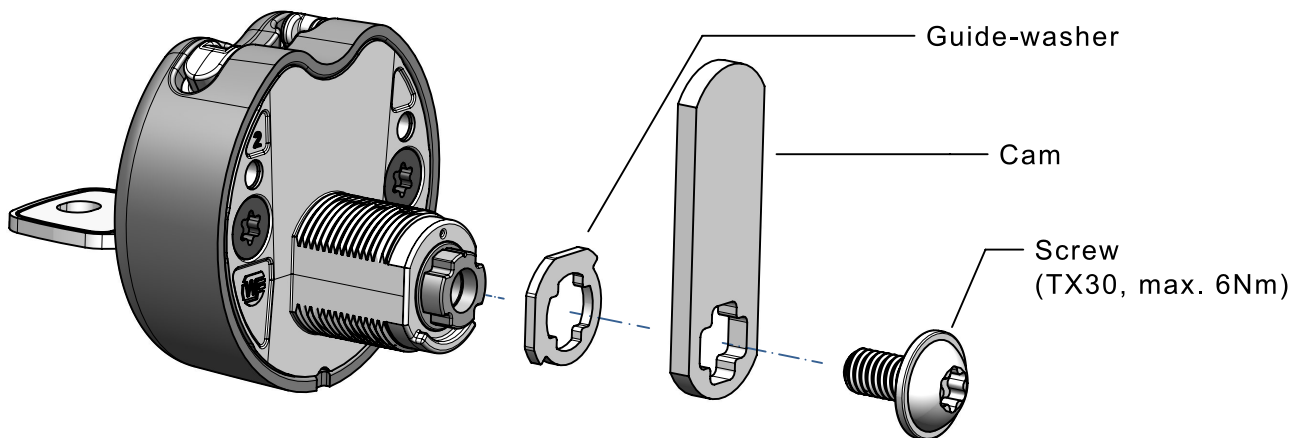


Mounting by Nut

Lock mounting with pre mounted cam (Standard)

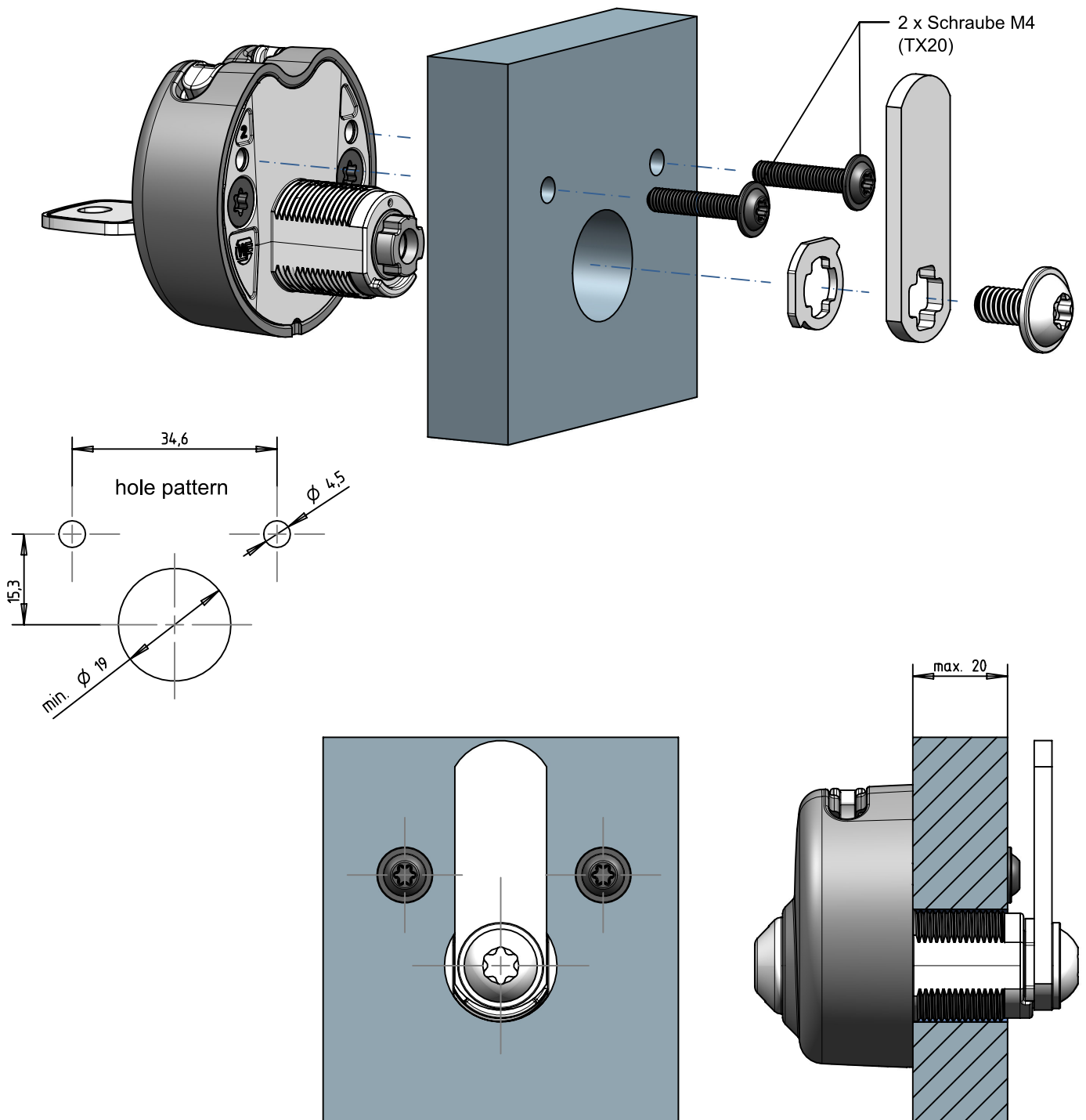


Cam mounting with using own cams



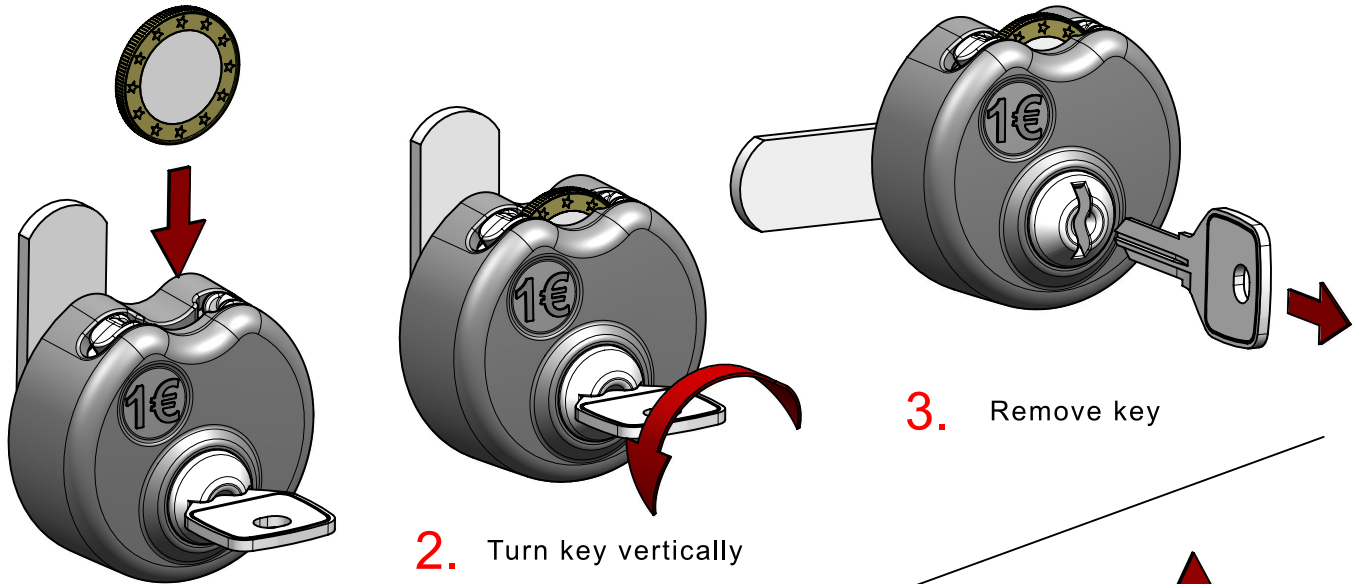
Mounting by screws

- Intended for doors without 16x19mm fixing hole and/or thicker than 12mm
- Suitable for plexiglass, laminate or wooden doors up to 20mm
- If this mounting is required, please indicate on the order (incl. door thickness)

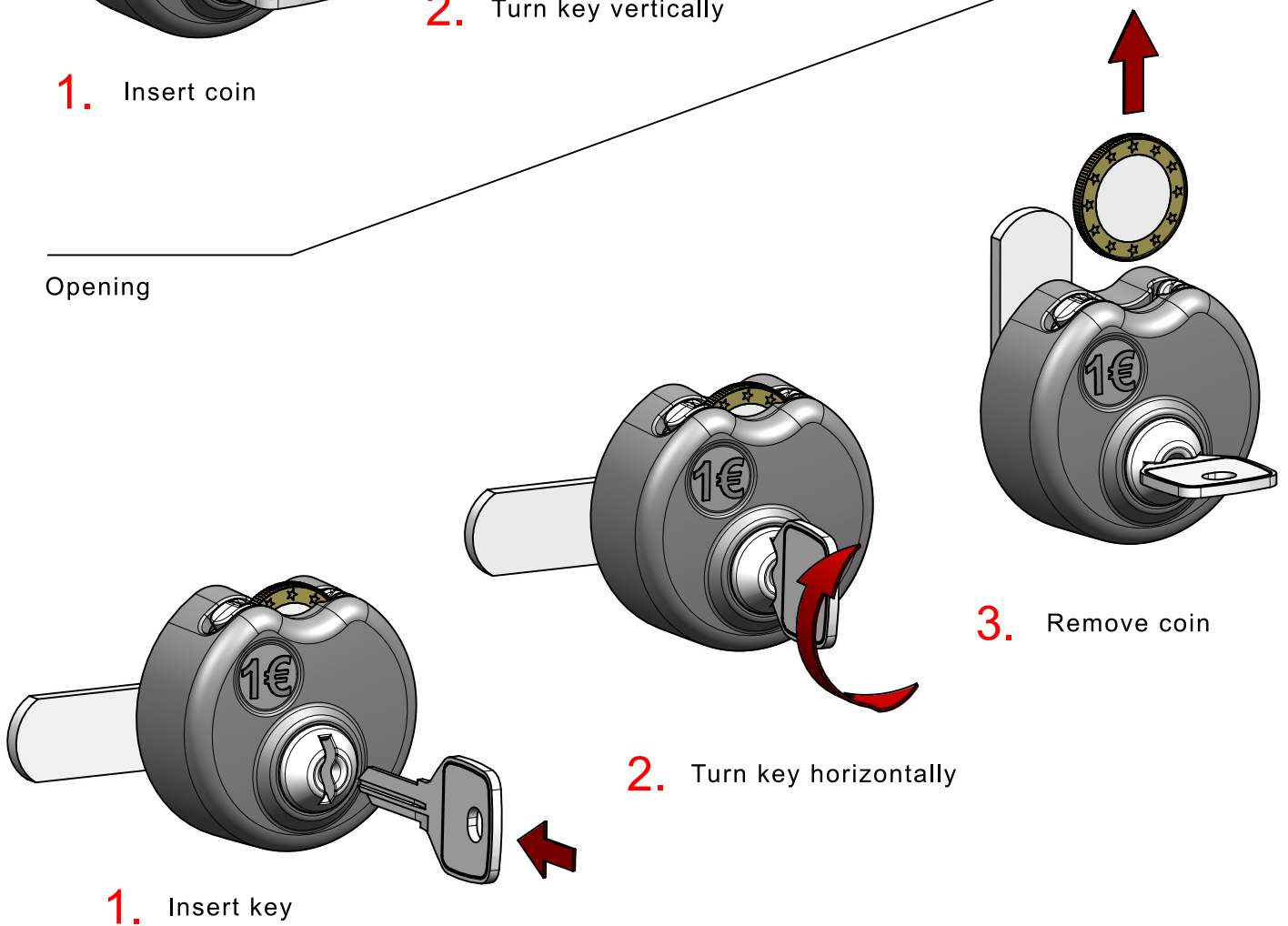


Operating

Closing

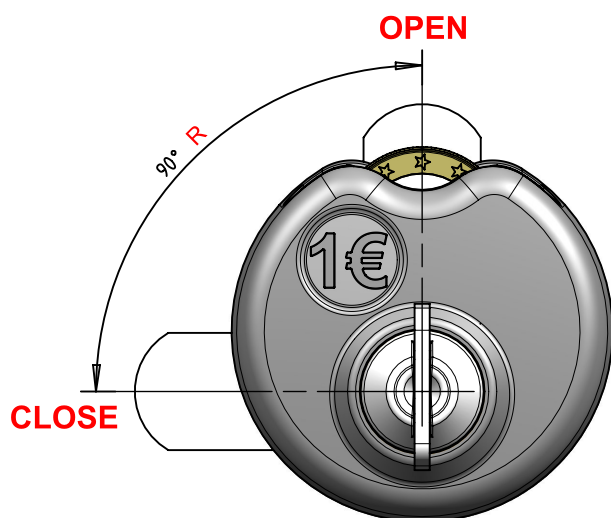
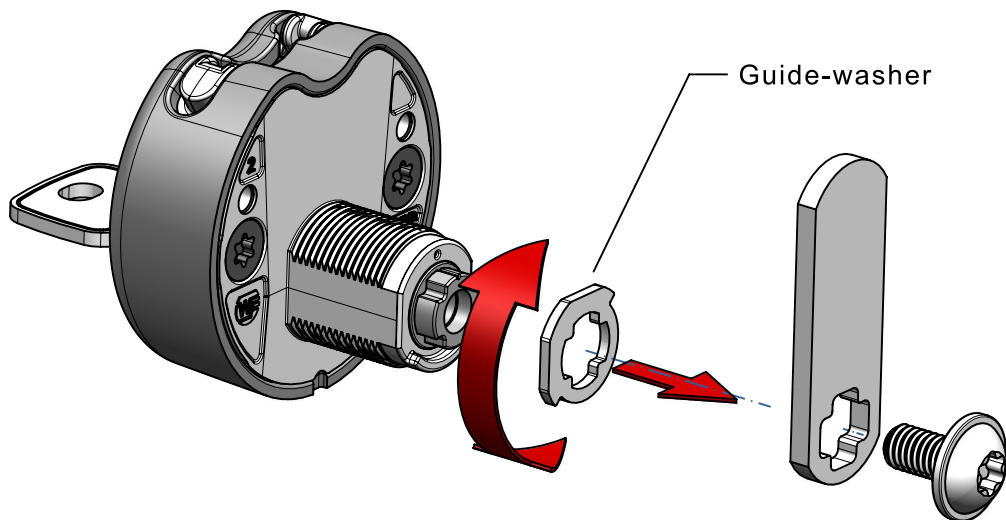


Opening

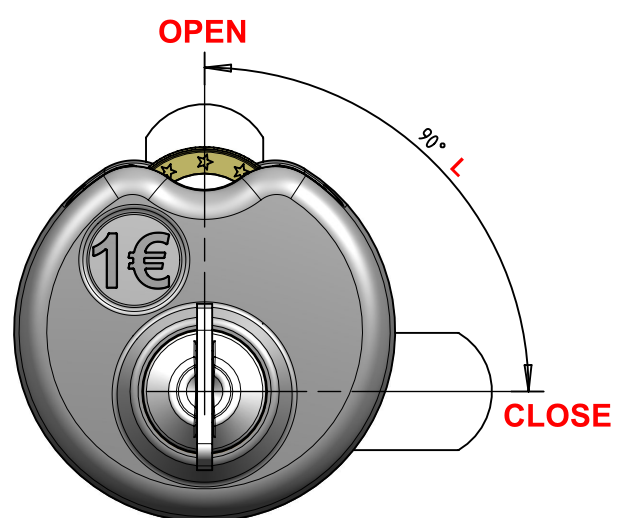


Set / Change direction of rotation

- Direction of rotation means the direction of the key to open the lock
- The direction of rotation is factory pre-set according order details
- The direction of rotation can be changed by turning the guide-washer



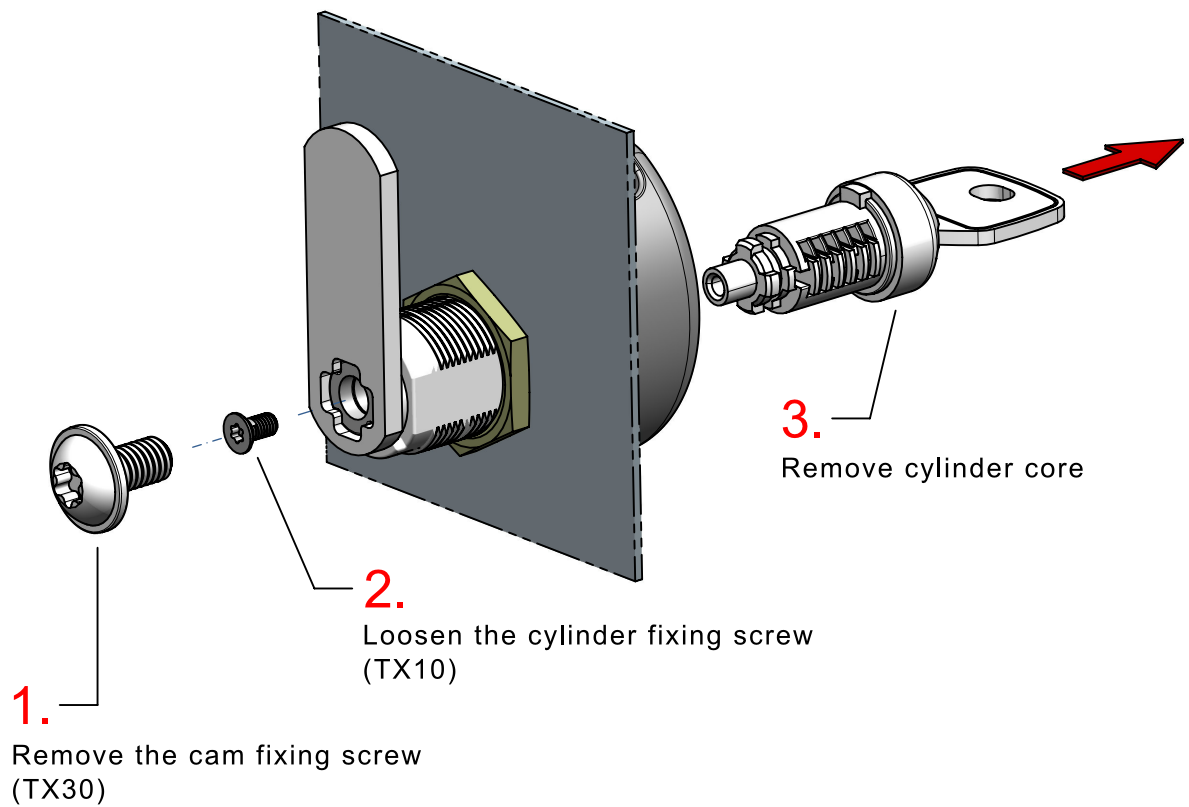
Rotation "**R**"
for right hinged doors



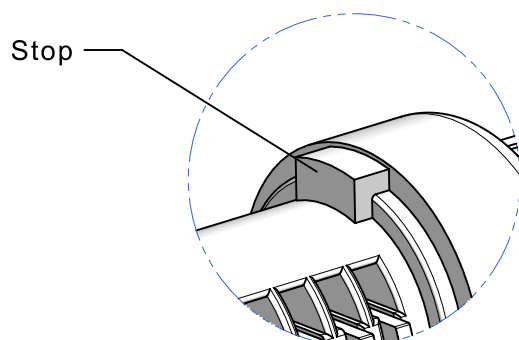
Rotation "**L**"
for left hinged doors

Change cylinder

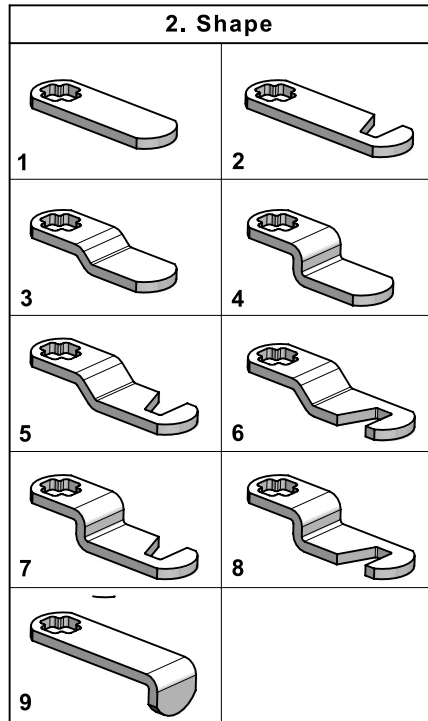
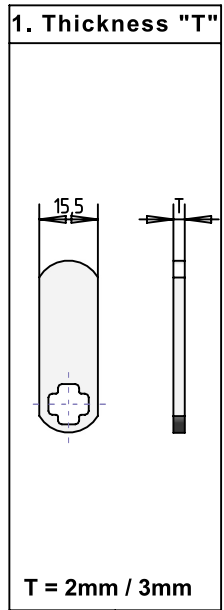
- If required, the cylinder core can be changed (e.g. in case of lost key)
- The replacement is done with open lock, without coin and key in horizontally position



- Mounting of the new cylinder core takes place in reverse order
- When mounting make sure the stop of the core shows upwards

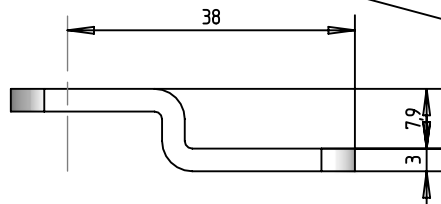
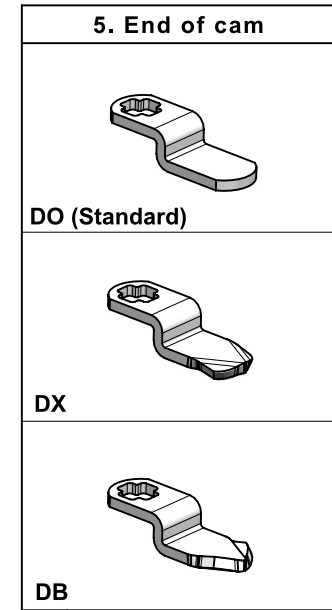
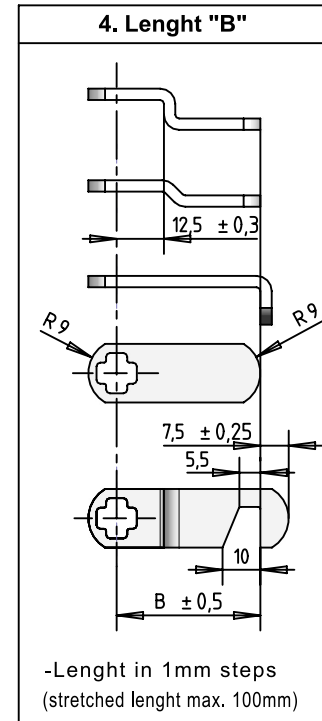


Ordering Matrix



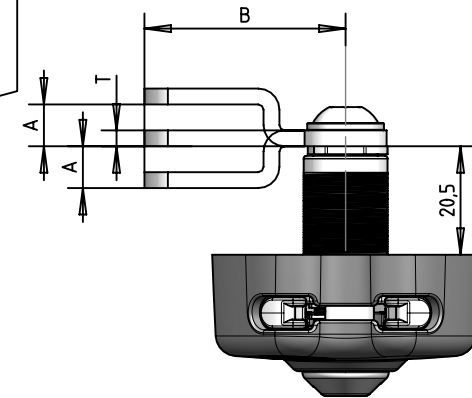
3. Height of crank "A"

A	mm	for shape
00	0	-1-2-
03	1,2	-3-5-6-
04	1,6	-3-5-6-
05	2,0	-3-5-6-
06	2,4	-3-5-6-
07	2,8	-3-5-6-
08	3,2	-3-5-6-
10	4,0	-3-5-6-
12	4,8	-3-4-5-6-7-8-
14	5,6	-3-4-5-6-7-8-
16	6,4	-4-7-8-9-
20	7,9	-4-7-8-9-
21	8,3	-3-5-6-
25	9,9	-3-4-5-6-7-8-9-
28	11,1	-4-7-8-9-
32	12,7	-3-4-5-6-7-8-9-
34	13,5	-4-7-8-9-
38	15,0	-4-7-8-9-
40	15,9	-4-7-8-9-
44	17,5	-4-7-8-9-
48	19,1	-4-7-8-9-
50	19,9	-4-7-8-9-
64	25,4	-4-7-8-9-
72	28,6	-4-7-8-9-



order example cam:

C1606-3-4-20-38-DO



Ordering Matrix Lock

