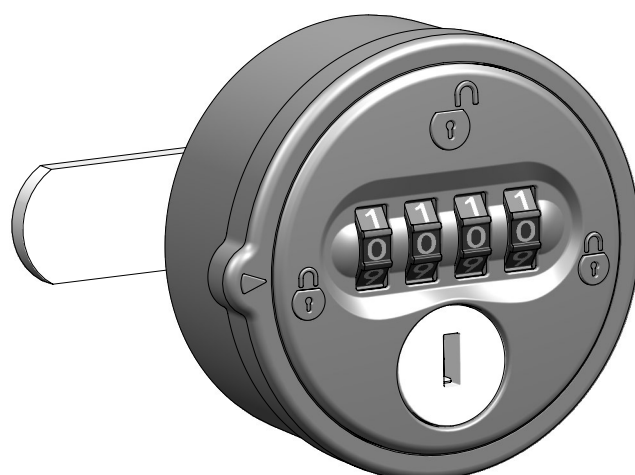


Technical Information

Locking System 2112 "One-Timer"



Product description / Instructions for use	2
Standard mounting options	3
Recessed mounting options	4
Assembly / assembly sequence	5
Setting / changing direction of rotation	6
Operating instructions / code finding / emergency opening	7
Order matrix cam	8
Order matrix lock	9

Product description

- + Mechanical, absolutely maintenance-free numerical locking system with 10,000 freely user codes

- + One-timer function for optimum use by frequently changing users (PUBLIC-MODE)

- + Robust design with simple operation

- + Mechanical service cylinder for quick code finding (emergency opening)

- + Retrofittable (standard mounting 16x19)

- + Additional mounting options for wooden, HPL and glass doors

- + Direction of rotation R / L selectable for left or right doors

- + Extensive selection of cams

- + Ready for installation as delivered incl. bolt, fixing material

Instructions for use:

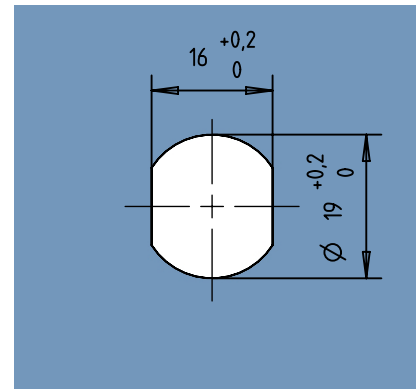
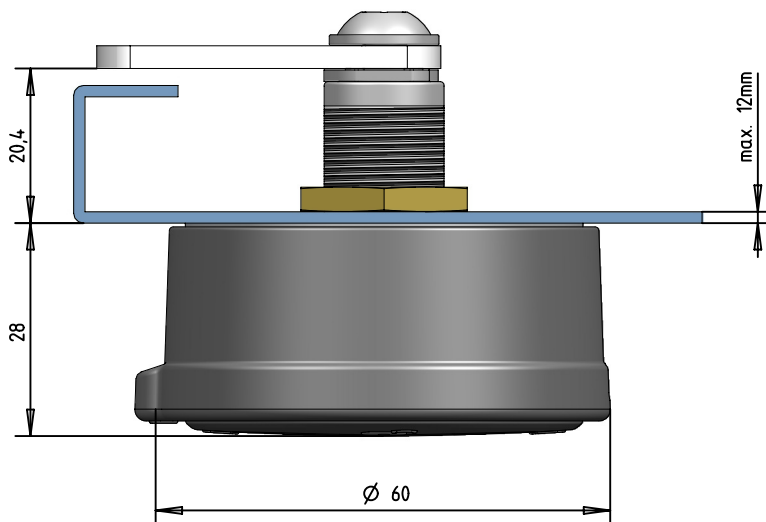
This product is intended for use in enclosed spaces in a temperature range of 5-50C°. Protect it from environmental influences such as water, moisture, heat, frost and dirt.

Further information at:

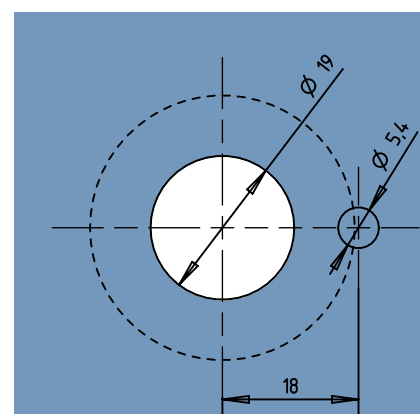
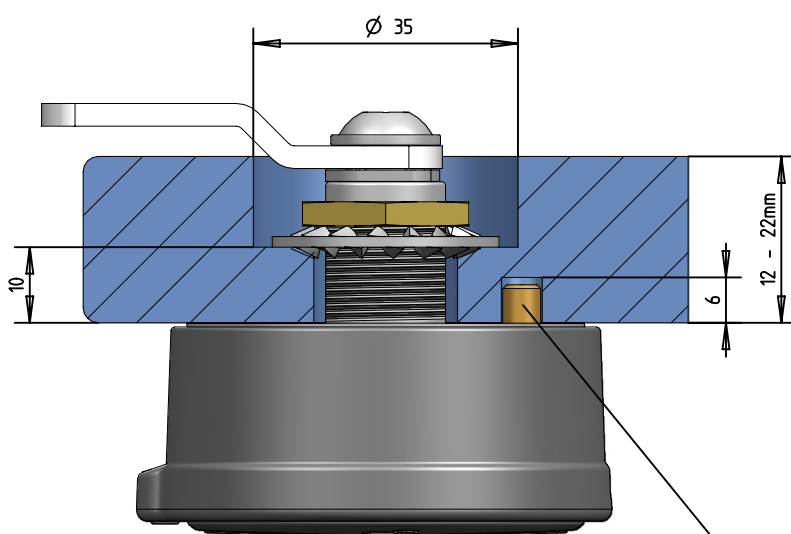
www.wf-locks.de

Mounting options

1. Standard fixing in steel doors with hole pattern 16x19

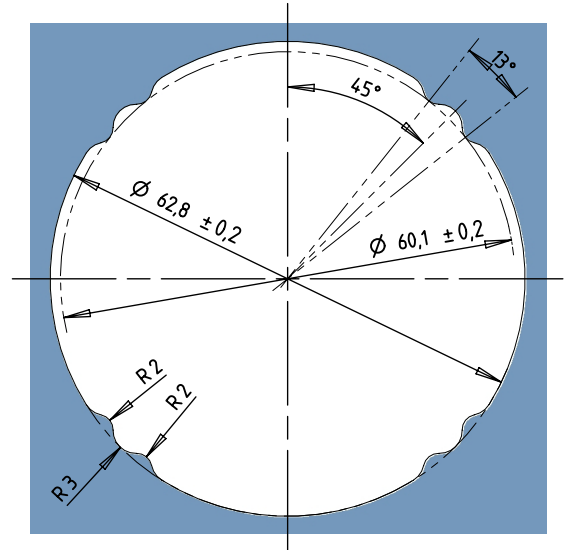
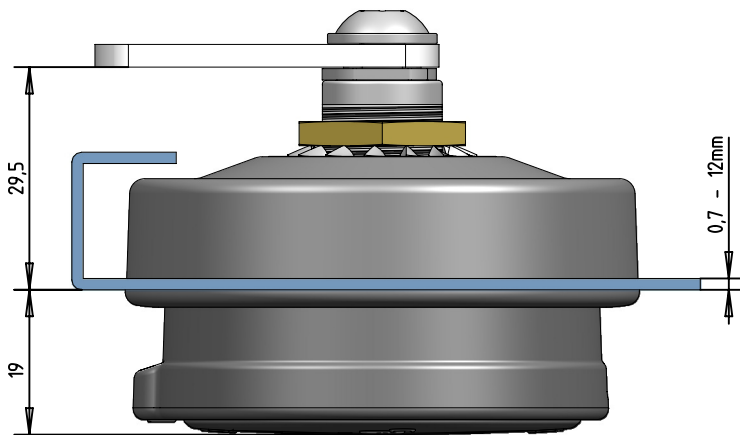


2. Fixing in wooden doors by means of cup hole and additional anti-twist bolt. (must be specified when ordering)

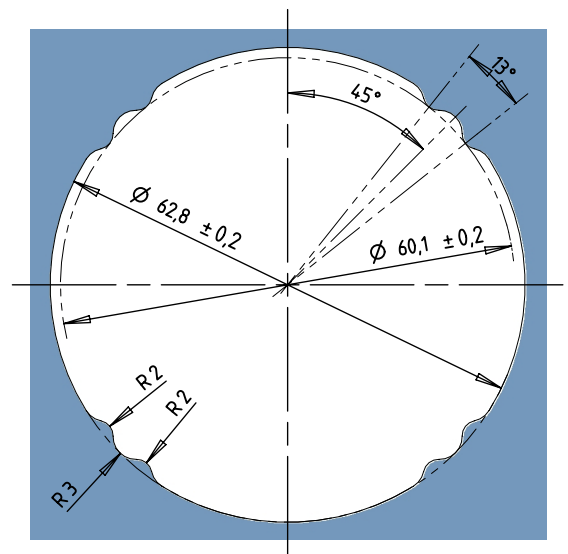
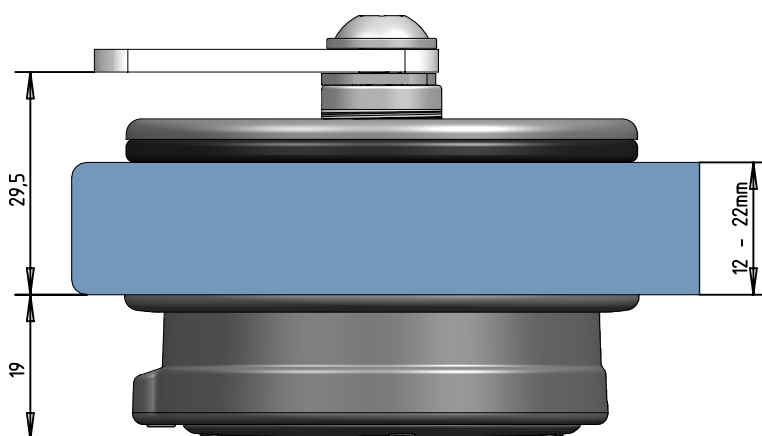


Recessed mounting options

1. Recessed installation in steel doors by means of special perforation and optional built-in-shell. (Specify when ordering)

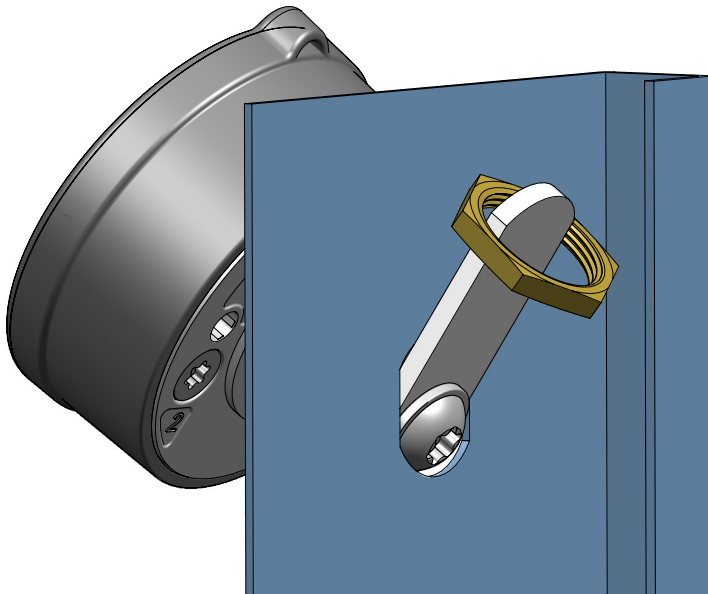


2. recessed installation in wooden doors by means of special milling and optional built-in-shell. (Specify when ordering)

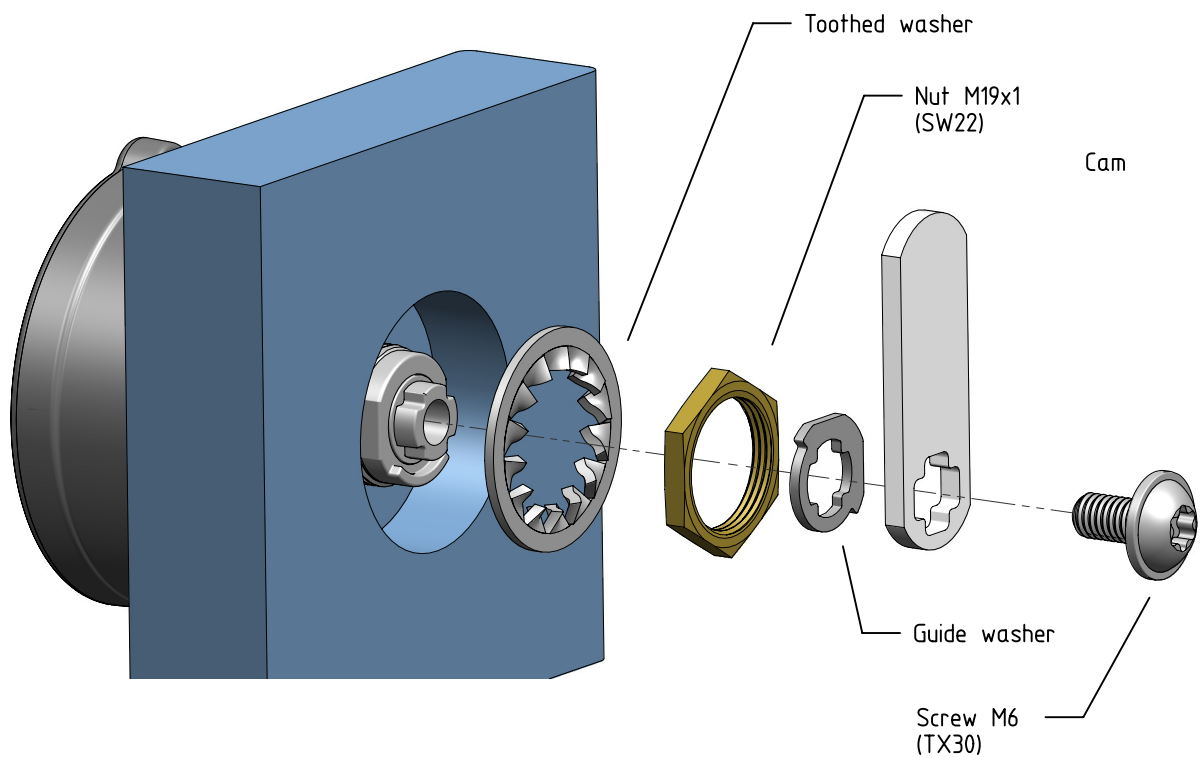


Assembly

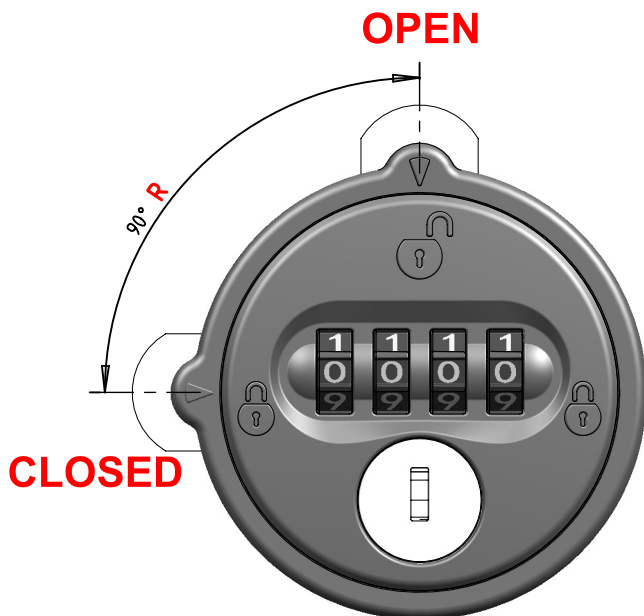
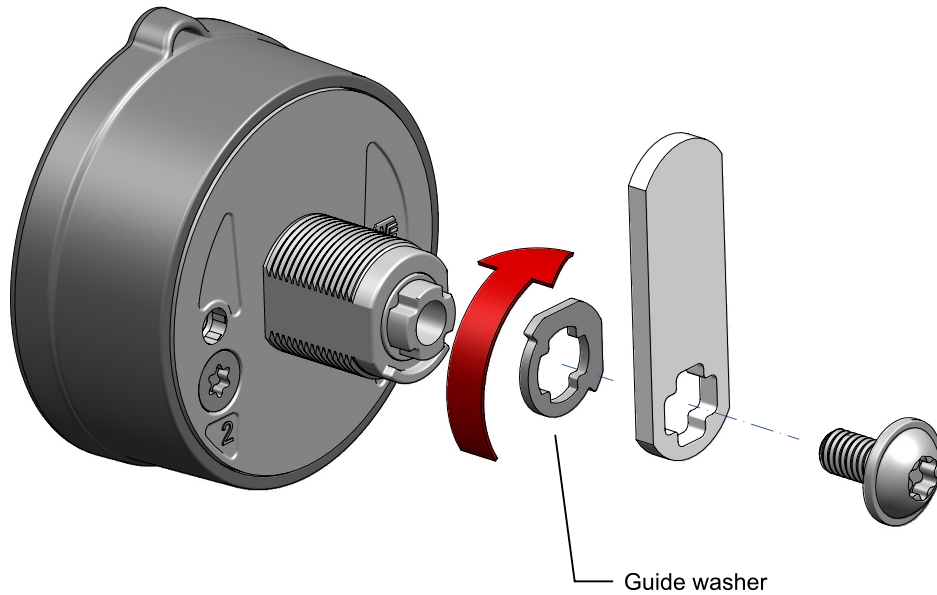
1. Standard mounting with pre-mounted cam in 16x19 door hole



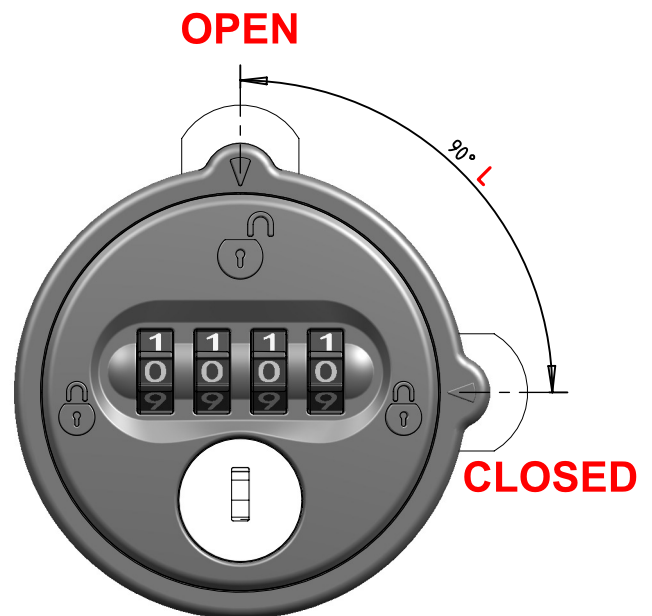
2. Assembly sequence for wooden doors



Setting / changing direction of rotation



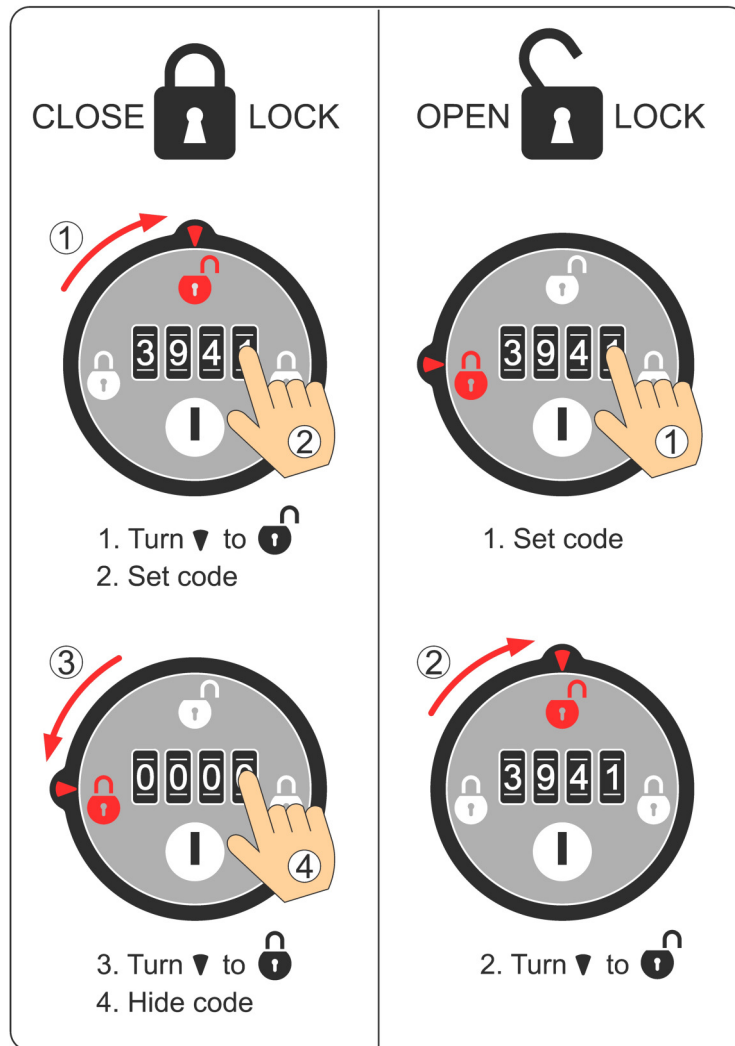
Direction of rotation "R" for doors hinged on the right



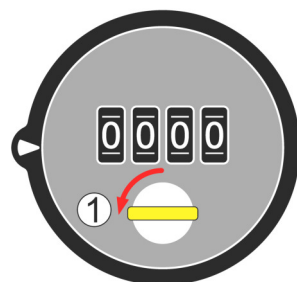
Direction of rotation "L" for doors hinged on the left

Operating instructions

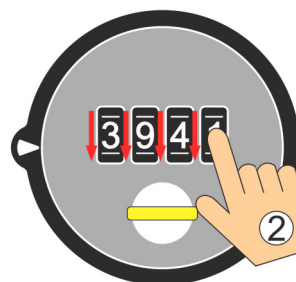
Operating instructions for users
available as cabinet sticker in DIN A7 (74x105mm)



Code finding

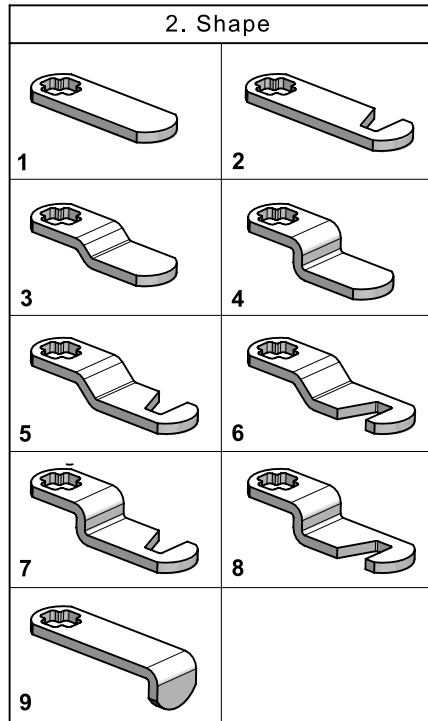
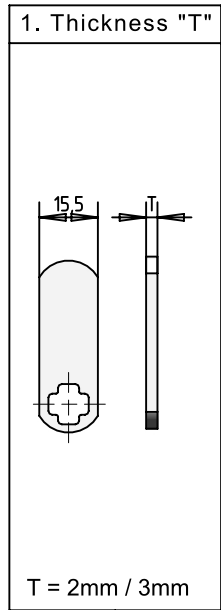


1. Insert the key and turn 90°

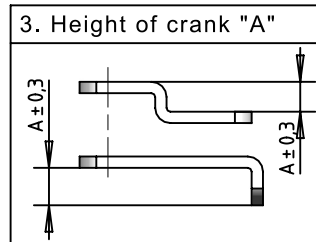


2. Turn the number wheels downwards until they block.

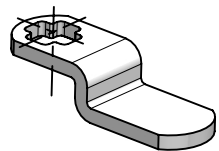
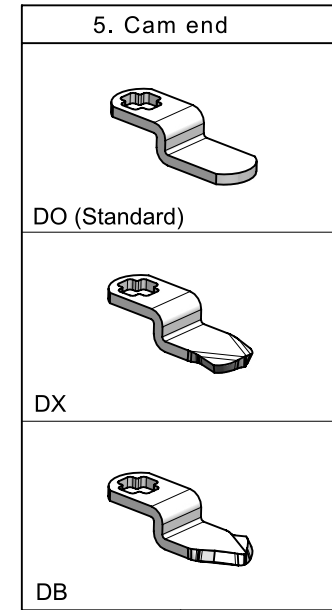
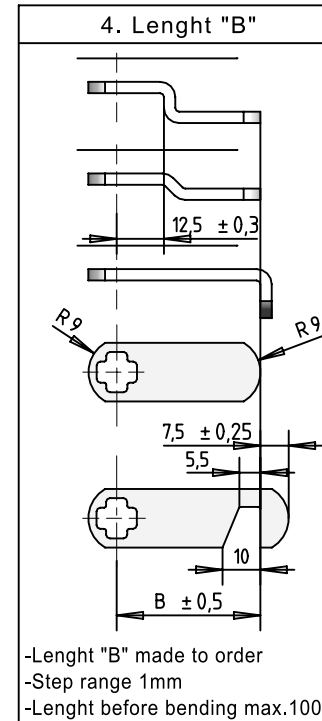
Order matrix cam



3. Height of crank "A"

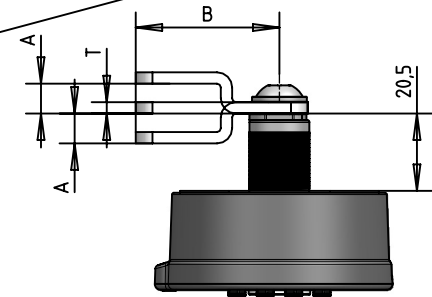


A	mm	for shape
00	0	-1-2-
03	1,2	-3-5-6-
04	1,6	-3-5-6-
05	2,0	-3-5-6-
06	2,4	-3-5-6-
07	2,8	-3-5-6-
08	3,2	-3-5-6-
10	4,0	-3-5-6-
12	4,8	-3-4-5-6-7-8-
14	5,6	-3-4-5-6-7-8-
16	6,4	-4-7-8-9-
20	7,9	-4-7-8-9-
21	8,3	-3-5-6-
25	9,9	-3-4-5-6-7-8-9-
28	11,1	-4-7-8-9-
32	12,7	-3-4-5-6-7-8-9-
34	13,5	-4-7-8-9-
38	15,0	-4-7-8-9-
40	15,9	-4-7-8-9-
44	17,5	-4-7-8-9-
48	19,1	-4-7-8-9-
50	19,9	-4-7-8-9-
64	25,4	-4-7-8-9-
72	28,6	-4-7-8-9-



Example cam:

C2112-3-4-20-38-DO



Order matrix lock / service key

